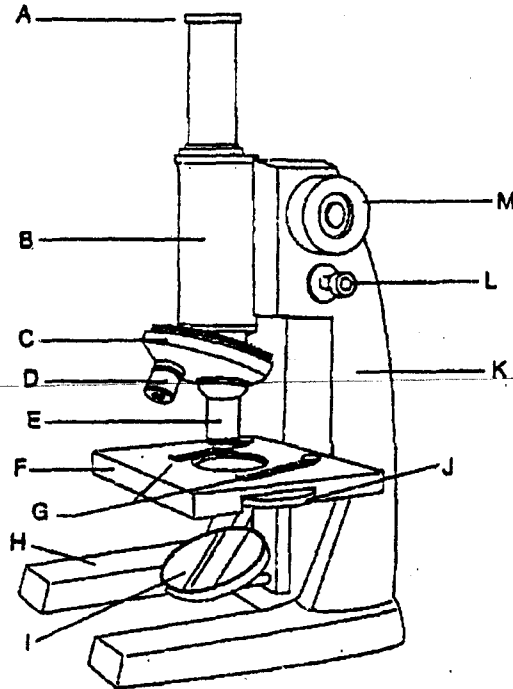


Using the Microscope

Identify the parts of the microscope on the lines to the left.

- a. _____
- b. _____
- c. _____
- d. _____
- e. _____
- f. _____
- g. _____
- h. _____
- i. _____
- j. _____
- k. _____
- l. _____
- m. _____



The total magnifying power of a microscope can be calculated by multiplying the magnifying power of the eyepiece and the magnifying power of the objective in use. Use this information to complete the following chart.

| | Eyepiece lens | Objective lens | | Total | |
|--------------|---------------|----------------|------|-------|------|
| | | Low | High | Low | High |
| Microscope 1 | 10x | 5x | 40x | | |
| Microscope 2 | 8x | 10x | 60x | | |
| Microscope 3 | | 10x | | 50x | 500x |